

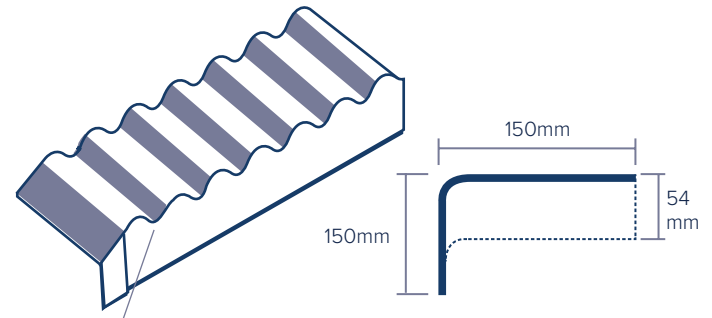
# EUROSIX EAVES FITTINGS INSTALLATION GUIDE

## EAVES CLOSURES AND FILLERS

If it should be required for you to close off the EUROSIX sheet corrugation gaps at the eave, the use of EUROSIX eaves fillers and/or eaves closers is required. Both offer the 1016mm coverage, the same as EUROSIX sheets themselves and can be used regardless of whether your sheets are laid right to left, or left to right giving them universal handing. Fig.1 and Fig.2 demonstrate the correct installation with the lower corrugation of the eaves fillers designed to sit under the side lap corrugation of the EUROSIX sheets.

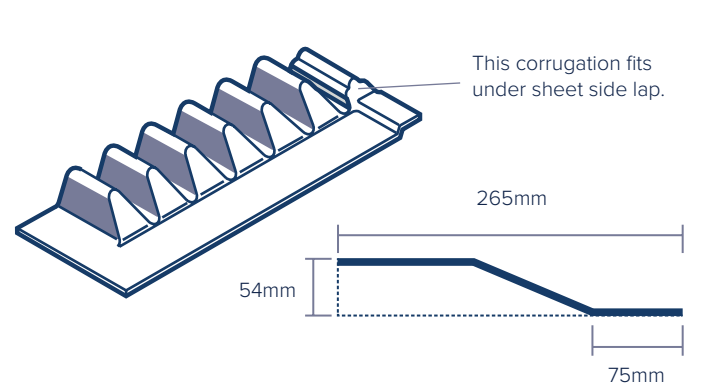
Sheet fasteners should be used to correctly fix the eaves fittings to the bottom purlin or eaves beam through the EUROSIX sheet.

Fig.1 Eaves Closure



This corrugation fits under sheet side lap.

Fig.2 Eaves Filler



This corrugation fits under sheet side lap.

